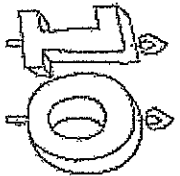





A Listen and Circle 仔細聽，圈出正確的字首字母 (每題 3 分，共 18 分)


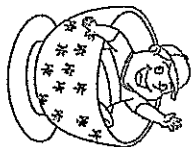
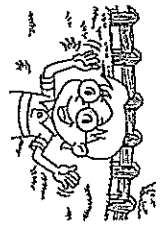

- | | |
|------------------|-------------------|
| 1. h
ey
k | 2. e
pple
d |
| 3. g
irl
b | 4. n
ion
l |
| 5. c
at
h | 6. n
et
j |

B Listen and Number 仔細聽，將圖片依序標號 (每格 2 分，共 16 分)




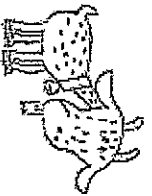



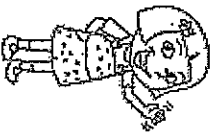
Part A

- | | |
|---|---|
| () | () |
|  |  |
| () | () |
|  |  |

Part B

- | | |
|---|---|
| () | () |
|  |  |
| () | () |
|  |  |

C Look and Check 看圖勾選對應的單字 (每題 2 分，共 16 分)

- | | |
|--|---------------------------------|
| 1.  | <input type="checkbox"/> nine |
| | <input type="checkbox"/> four |
| 2.  | <input type="checkbox"/> Danny |
| | <input type="checkbox"/> Dino |
| 3.  | <input type="checkbox"/> nine |
| | <input type="checkbox"/> eight |
| 4.  | <input type="checkbox"/> goat |
| | <input type="checkbox"/> coat |
| 5.  | <input type="checkbox"/> monkey |
| | <input type="checkbox"/> mouse |
| 6.  | <input type="checkbox"/> net |
| | <input type="checkbox"/> jet |
| 7.  | <input type="checkbox"/> igloo |
| | <input type="checkbox"/> ink |
| 8.  | <input type="checkbox"/> Irene |
| | <input type="checkbox"/> Niki |

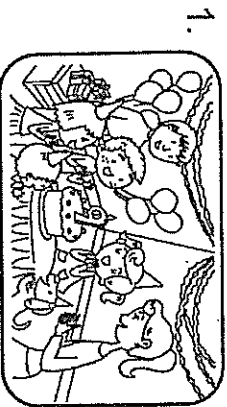
D Read and Write 依字母順序寫出空格中的字母 (每格 2 分, 共 16 分)

1. _____ L _____ N

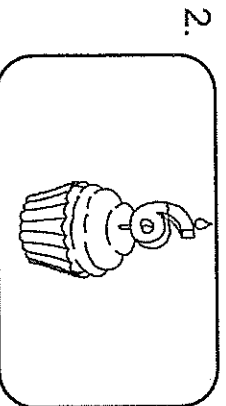
2. _____ d _____ f

3. _____ h i _____ k

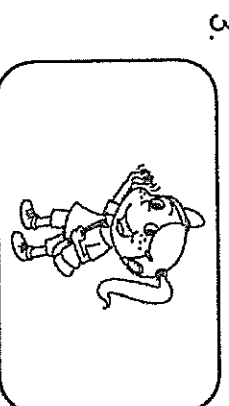
E Look, Read, and Check 看圖勾選正確的對話 (每題 3 分, 共 18 分)



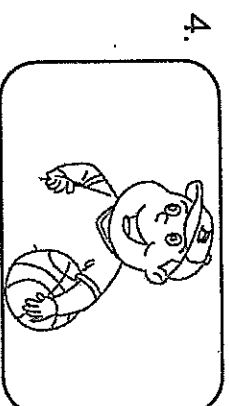
- A: Hi!
 How old are you?
 Happy birthday!
B: Thank you.



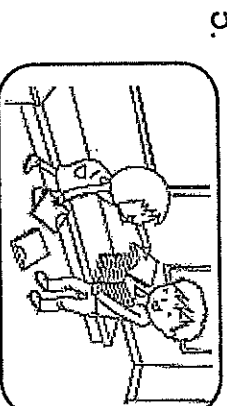
- A: How old are you?
B: I'm six years old.
 I'm nine years old.
 I'm seven years old.



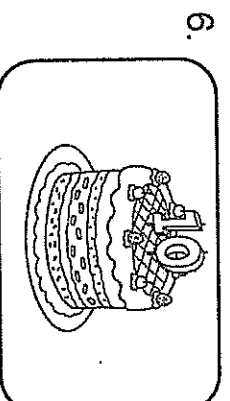
- A: How old are you?
 What's your name?
 Hello, I'm Niki.
B: My name is Niki.



- A: What's your name?
B: I'm Danny.
 I'm Owen.
 I'm Dino.



5. A: I'm ten.
 Hello!
 Thank you.
B: You're welcome.



6. A: How old are you?
 What's your name?
 Thank you.
B: I'm ten.

F Read and Choose 讀一讀, 選出正確的答案 (每題 4 分, 共 16 分)

- () 1. A: Happy birthday, Danny.
B: _____
(A) Goodbye.
(B) Thank you, Niki.
(C) What's your name?
- () 2. Hi, I _____ Owen.
What's your name?
(A) are (B) am (C) is
- () 3. Hello, _____ Dino.
(A) my name (B) I (C) I'm
- () 4. _____ name is Irene.
(A) My (B) I (C) I'm