







三年\_\_班 座號\_\_\_\_ 姓名：\_\_\_\_\_

**A Listen, Circle, and Match** 仔細聽，圈出對應的字首字母，再連到正確的單字圖  
(每題 2 分，共 12 分)

1. m n •  
2. s t •  
3. p r •  
4. p k •  
5. q p •  
6. n l •  

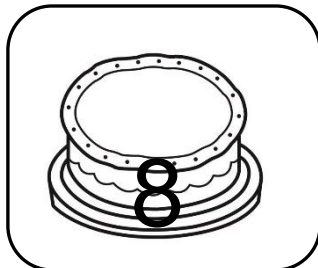
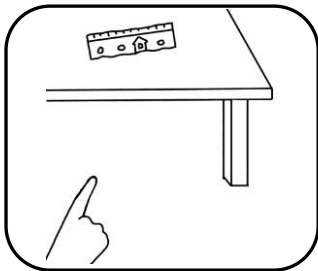
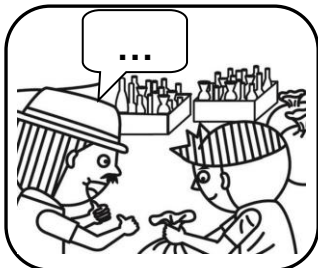
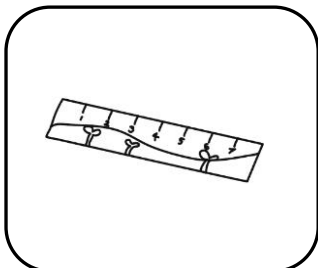

**B Listen and Choose** 仔細聽，選出適當的回應句 (每題 3 分，共 18 分)

1. (        ) (A) I'm fine.  
              (B) I'm nine.  
              (C) It's a book.
2. (        ) (A) I'm six years old.  
              (B) I'm seven.  
              (C) It's an eraser.
3. (        ) (A) You're welcome.  
              (B) Thanks!  
              (C) Good job!
4. (        ) (A) I'm ten years old.  
              (B) It's a marker.  
              (C) My name is Rock

5. (        ) (A) Thanks!  
              (B) Cool!  
              (C) You're welcome.

6. (        ) (A) I'm Teddy.  
              (B) I'm eight.  
              (C) It's a pencil.

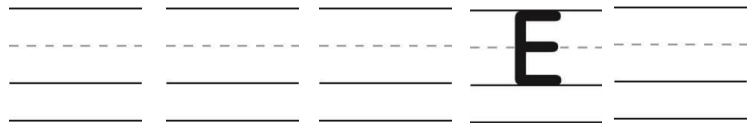
**C Look, Read, and Check** 看圖勾選正確的句子 (每題 4 分，共 20 分)

1.   I'm eight years old.  
 I'm nine years old.
2.   What's this?  
 What's that?
3.   You're welcome.  
 Cool!
4.   It's an eraser.  
 It's a ruler.
5.   I'm seven.  
 I'm six.

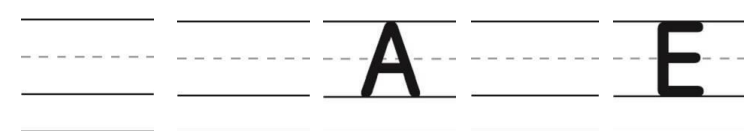
(請翻面繼續作答)

**D Read and Write** 寫出對應的大寫或小寫字母  
(每格 1 分，共 15 分)

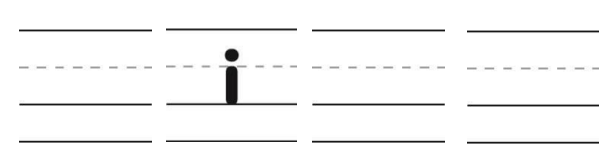
1. otter



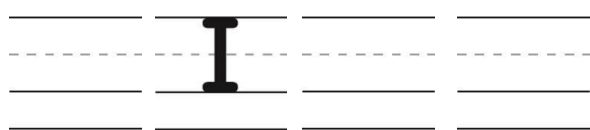
2. snake



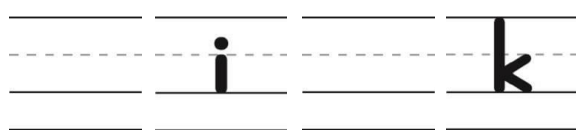
3. LION



4. pink



5. MILK



**E Read and Check** 讀一讀，勾選正確的問題或  
回應句 (每題 5 分，共 15 分)

1. A: \_\_\_\_\_

B: It's a marker.

( ) What's your name?

( ) What's this?

2. A: Thank you.

B: \_\_\_\_\_

( ) You're welcome.

( ) Thanks!

3. A: \_\_\_\_\_

B: I'm eight.

( ) How are you?

( ) How old are you?

**F Read and Choose** 看圖填寫正確的句子代  
號 (每題 5 分，共 20 分)

A. Good job!

Thanks!

B. How old are you?

I'm seven.

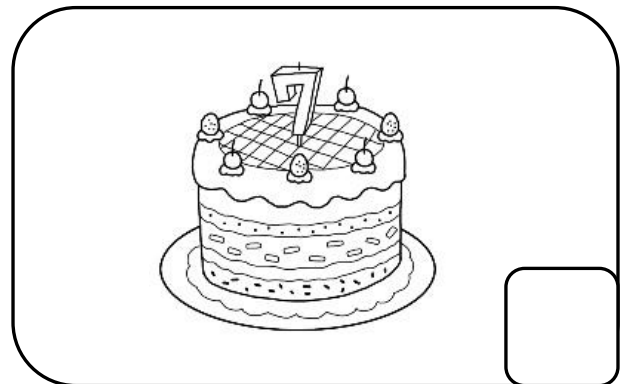
C. What's this?

It's a marker.

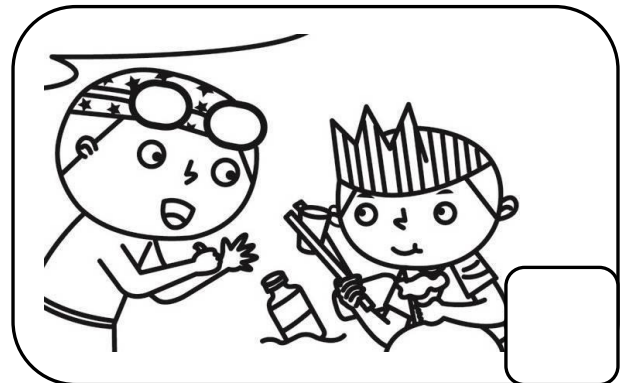
D. What's that?

It's a pencil.

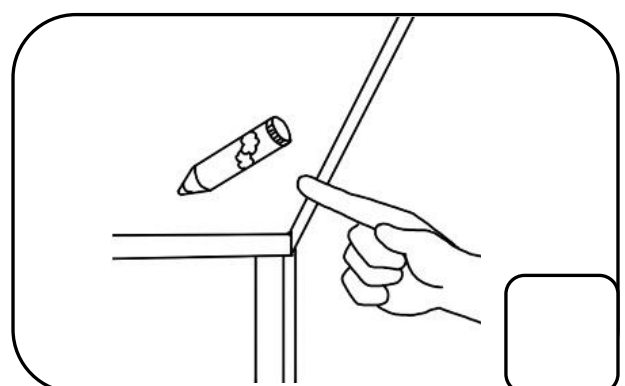
1.



2.



3.



4.

